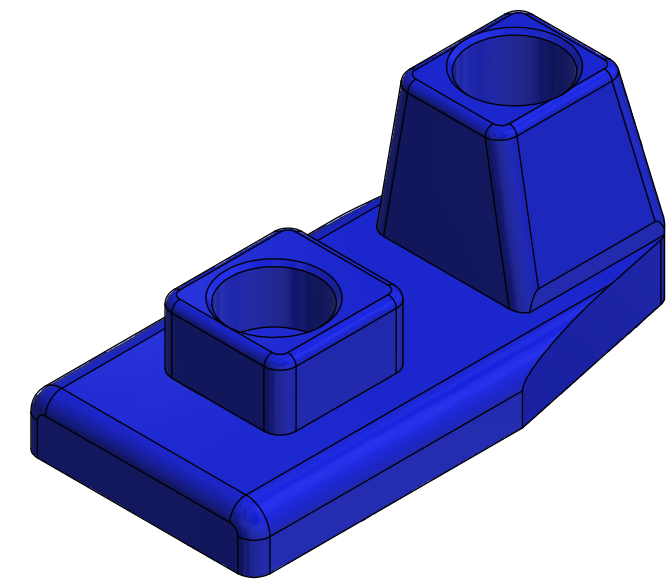
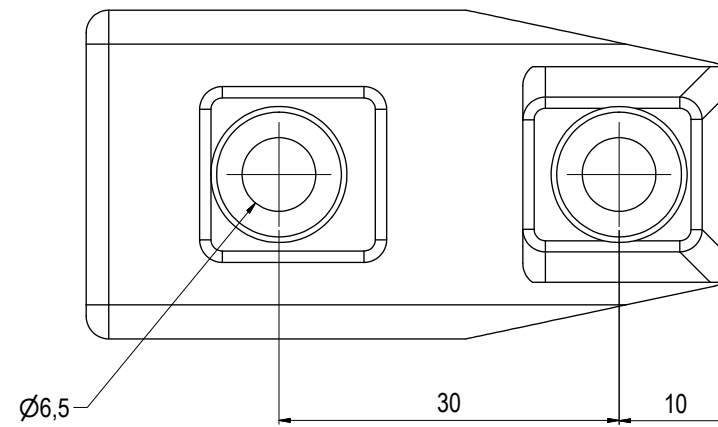
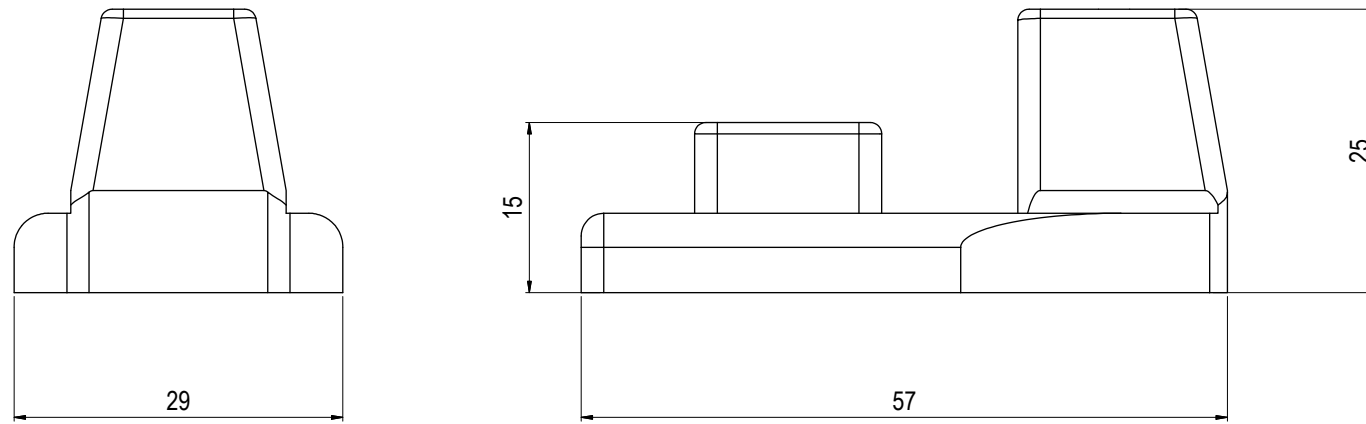


NOTE: 1  
 DESIGN CODE:  
 N/A

NOTE: 2  
 TECHNICAL CLASSIFICATION:  
 Article Type: 003-Valve Stabs  
 Main Group: 3.07. Dual Bore-Valvestab  
 Intermediate Group: 3.42.00. Generic  
 Sub Group: 3.42.304.0. System

NOTE: 3  
 INTERFACE INFORMATION:  
 Pressure Rating Bar: N/A  
 Material: AISI 316L  
 Weight: 0,1 kg  
 Volume: 0,01 dm<sup>3</sup>  
 Surface Area: 65 cm<sup>2</sup>  
 Hydraulic: N/A  
 Mechanical: N/A  
 Electrical: N/A  
 Com. & Protocol: N/A



Rev.	Date	Reason for issue	Revision change	Made	Chk'd	Appr.
01	11.10.2016	7-IFC (Issued for Construction)		WTJ	LGH	WTJ



Unless Noted Otherwise:	Dwg. Scale: NTS
Dim. Tol: NS-ISO 2768-1	Dwg. Proj:
Roughness: Ra	Dwg. Format: A3
Fillet Rad: Corner Rmax:	Break Edges: (R. Alt. 45°) R= 0,1-0,5

Drawing title: Key Blue for Stab And Handle Interface

Drawing number: BA9212

Rev. 01